

6" HYDRAULIC SUBMERSIBLE CENTRIFUGAL SCREW PUMP

MODELS S6SCR

6" (150 mm) Discharge

The S6SCR is ideal for pumping higher viscosity liquids such as heavy fuel oils, latex, and refinery wastes using a positive displacement screw. When pumping lighter materials the impeller acts as centrifugal type providing high capacity pumpage. Standard type pump for oil recovery operations.



FEATURES

- Unique Centrifugal Screw Impeller for pumping of liquids with viscosities
- Small Overall Size allows for use in confined spaces
- Low Emulsifying properties
- Low Shear of liquids
- Can be used inline as a booster pump
- Safe Hydraulic Drive can be used where electric power is hazardous or impractical
- Operates with our HT60 to HT125 power units or other hydraulic power sources capable of flows of 25 - 39 GPM
- High Efficiency Bent Axis Motor

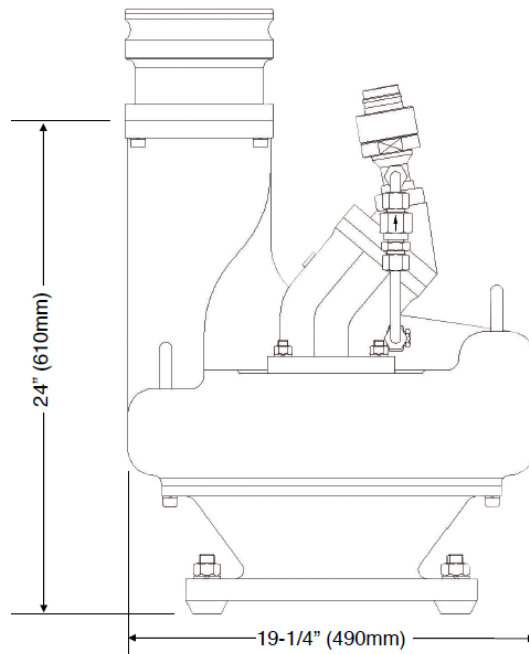
SPECIFICATIONS

WEIGHT:..... 182 lbs. (83 kg)
 HEIGHT:..... 24 (610 cm)
 DIAMETER (@ widest point):..... 19 1/4" (490 cm)
 DISCHARGE:..... 6" Camlock or Flange Adaptor
 INLET FLANGE:..... 6" 125# ASA or 150 mm metric
 SOLIDS HANDLING:..... 2" (50 mm)
 HOSE PORTS:..... 1" JIC (M)
 PUMP BODY:..... Seawater Resistant Aluminum
 IMPELLER / SCREW:..... Nodular Cast Iron
 ELASTOMERS:..... Viton (Std)
 HYDRAULIC OIL:..... 214-320 s.s.u. @ 100°F (64°C)
 INPUT FLOW:..... Max. 39 GPM (150 LPM)
 OPERATING PRESSURE:.. Max. 4500 PSI (300 Bar)
 POWER SOURCE:.... Any Open Center Hydraulic System

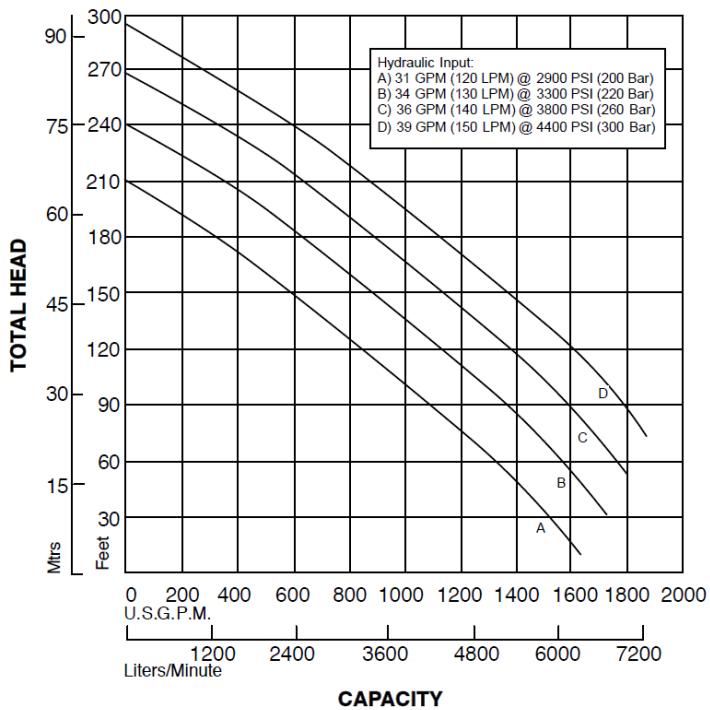
D0516

Specifications are subject to change without notice

Model S6SCR Overall Dimensions



S6SCR Typical Performance



Curves are based on pumping water at 60°F. For performance curves other than shown above, consult factory.



167 Stock Street, Nesquehoning, PA 18240 Phone: 570-645-3779 Fax: 570-645-4061
 Website: www.hydra-tech.com E-Mail: htpump@hydra-tech.com