

# 1 1/2" HYDRAULIC SUBMERSIBLE SLIM-LINE PUMP

## MODEL

**S1.5A**

1 1/2" (38 mm) Discharge

The S1.5A is designed to be used as a dewatering pump in areas where space is limited. Typical uses for this pump include manhole, vault, blasthole, mine and construction jobsite dewatering.



## FEATURES

- Small Overall Size Allows Pump To Fit Through 6" Diameter Opening
- Oil Lubricated Seals (can run dry)
- Variable Speed hydraulic drive
- Stainless Steel Impeller resists wear
- Rubber Coated Suction Case resists abrasion
- Safe Hydraulic Drive can be used where electric power is hazardous or impractical
- Dependable gear type hydraulic motor
- Operates with our HT6 to HT13 power units or other hydraulic power sources capable of flows of 3-7 GPM

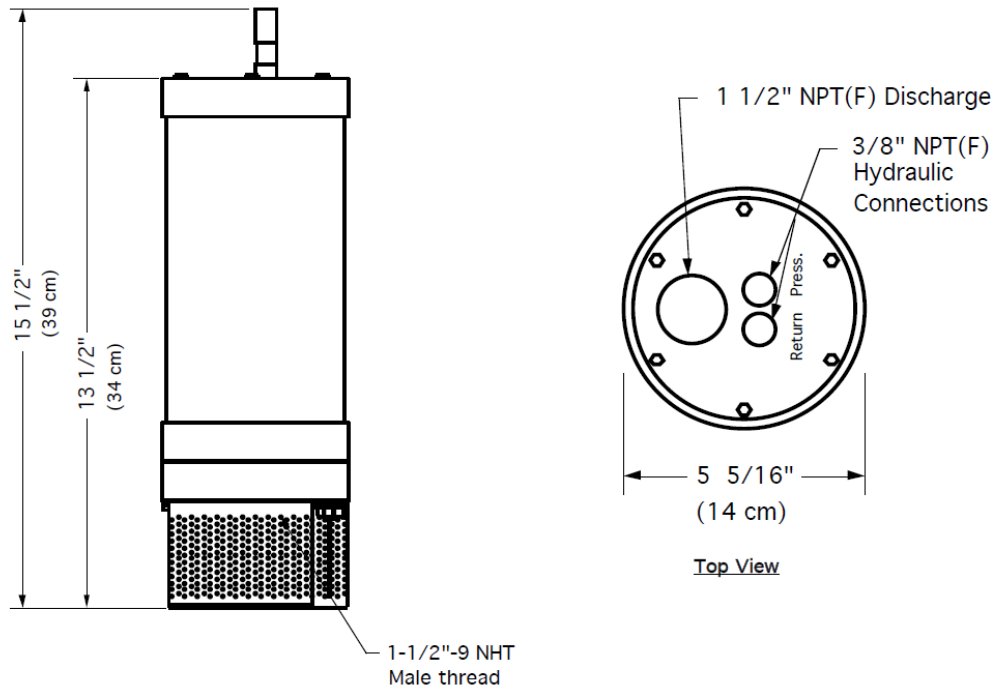
## SPECIFICATIONS

WEIGHT: .....	17 lbs. (8 kg)
HEIGHT:.....	15 1/2" (39 cm)
DIAMETER:.....	5 5/16" (14 cm)
DISCHARGE:.....	1 1/2", NPT(F)
SOLIDS HANDLING:.....	1/4" (7 mm)
HOSE PORTS:.....	3/8" NPT (F)
PUMP BODY:.....	Anodized Aluminum
IMPELLER:.....	Stainless Steel
SUCTION CASE: .....	Rubber Lined
SHAFT:.....	Stainless Steel
SHAFT SEAL:.....	Carbon / Ceramic
ELASTOMERS:.....	Buna N (Std)
HYDRAULIC OIL:.....	214-320 s.s.u. @ 100°F (64°C)
INPUT FLOW:.....	Max 7 GPM (26 LPM)
OPERATING PRESSURE:..	Max 2000 PSI (136 Bar)
POWER SOURCE:..	Any Open Center Hydraulic System

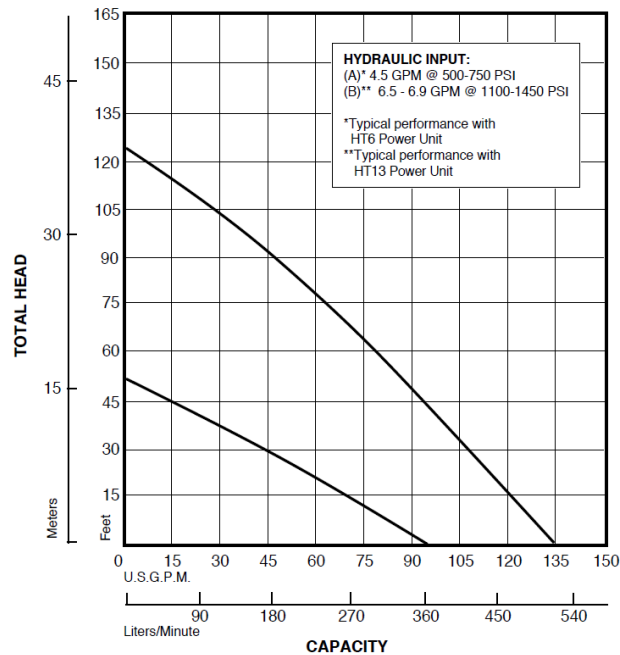
D0516

Specifications are subject to change without notice

## Model S1.5A Overall Dimensions



## S1.5A Typical Performance



Curves are based on pumping water at 60°F. For performance curves other than shown above, consult factory.



167 Stock Street, Nesquehoning, PA 18240 Phone: 570-645-3779 Fax: 570-645-4061  
 Website: [www.hydra-tech.com](http://www.hydra-tech.com) E-Mail: [htpump@hydra-tech.com](mailto:htpump@hydra-tech.com)